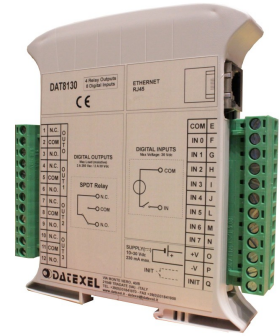


FEATURES

- Interface Ethernet 10/100 Base-T, Modbus TCP Server
- N.8 Digital inputs
- N.4 Relay outputs (SPDT)
- Built-in Web server to acquire the digital inputs state and drive the digital outputs via web browser
- Remotely programmable
- Connection by removable screw-terminals
- LED signalling for Link/Act Ethernet, power supply
- LED signalling for digital inputs and outputs state
- Galvanic isolation on all the ways
- EMC compliant – CE mark
- In compliance to EN-50022 DIN rail mounting



GENERAL DESCRIPTION

The device DAT8130 is a Modbus TCP server unit with 8 digital input channels and 4 relay outputs type SPDT.

For the digital inputs are available up to four 32 bit counters with measure of frequency up to 300 Hz.

The Ethernet interface allows to read and write in real time the value of device's internal registers.

The built-in Web Server of DAT8130 allows the remote visualization and acquisition of the digital inputs state, to drive the relay outputs and access to and configure the main Ethernet parameters via web browser.

The device is also configurable by the software *Dev9K*, a free IDE developed by DATEXEL.

The device DAT8130 realizes a full electrical isolation between the lines, introducing a valid protection against the effects of all ground loops eventually existing in industrial applications. The LEDs of signalling of Ethernet activity, input, output state and power supply allow a direct monitoring of the system functionality. The connection is made by removable screw-terminals (inputs, outputs and power supply) and RJ45 plug (Ethernet).

The device is housed in a rough self-extinguishing plastic enclosure which, thanks to its thin profile of 22.5 mm only, allows a high density mounting on EN-50022 standard DIN rail.

USER INSTRUCTIONS

Before to install the device, please read the "Installation Instruction" section.

To configure the device use the INIT modality. Connect the terminal INIT to the terminal -V; at the power-on the device will be automatically set in the configuration set-up (refer to the User Guide of the device). Connect power supply, serial bus, digital inputs and relay outputs as shown in the "Wiring" section. The LEDs state depends on the working condition of the device: see the "Light Signalling" section to verify the device working state.

To perform configuration and calibration operations, read the instructions in the User Guide of the device.

To simplify handling or replacing of the device, it is possible to remove the wired terminals even with the device powered.

TECHNICAL SPECIFICATIONS (Typical @ 25 °C and in the nominal conditions)

In compliance with Ethernet IEEE 802.3		DIGITAL INPUTS		POWER SUPPLY	
Network interface	Ethernet 10/100Base-T	Channels	8	Power supply voltage	10 .. 30 Vdc
Protocol	Modbus TCP	Input voltage (bipolar)		Reverse polarity protection	60 Vdc max
Max. cable length	100 meters	OFF state	0 ÷ 3 V	Consumption (standby)	60 mA tip@ 24Vdc
Number of socket	up to 16	ON state	10 ÷ 30 V	Consumption (operative)	100 mA max@24Vdc
		Impedance	4.7 KΩ	Consumption (operative)	290 mA max@10Vdc
		Sample time	5 ms		
		Number of counters	4	ISOLATION	
		Counters register bit-length	32 bit	Power Supply / Ethernet	1500 Vac, 50 Hz, 1 min
		Counters frequency	up to 300 Hz	Inputs / Power supply	1500 Vac, 50 Hz, 1 min
		Minimum pulse width	1 ms	Inputs / Ethernet	1500 Vac, 50 Hz, 1 min
				Inputs / Outputs	1500 Vac, 50 Hz, 1 min
		DIGITAL OUTPUTS			
		Channels	4	ENVIRONMENTAL CONDITIONS	
		Type	SPDT relay	Operative Temperature	-10°C .. +60°C
		Switching power (max.)		Storage Temperature	-40°C .. +85°C
		2 A @ 250 Vac (resistive load) per contact		Humidity (not condensed)	0 .. 90 %
		2 A @ 30 Vdc (resistive load) per contact		Maximum Altitude	2000 m
		Minimum load 5 Vdc , 10 mA		Installation	Indoor
		Max. voltage 250 Vac (50 / 60 Hz) , 30Vdc		Category of installation	II
		Dielectric strength between contacts		Pollution Degree	2
		1000 Vac, 50 Hz, 1 min.			
		Dielectric strength between coil and contacts		CONNECTIONS	
		4000 Vac, 50 Hz, 1 min.		Ethernet	RJ-45 (on terminals side)
				Inputs/Outputs	Removable screw-terminals
				Power Supply	Removable screw-terminals
				MECHANICAL SPECIFICATIONS	
				Material	Self-extinguish plastic
				IP Code	IP20
				Wiring	wires with diameter 0.8÷2.1 mm ² /AWG 14-18
				Tightening Torque	0.8 N m
				Mounting	in compliance to DIN rail standard EN-50022 and EN-50035
				Weight	about 190g
				EMC (for industrial environments)	
				Immunity	EN 61000-6-2
				Emission	EN 61000-6-4

INSTALLATION INSTRUCTIONS

The device is suitable for fitting to DIN rails in vertical position. For optimum operation and long life follow these instructions:

When the devices are installed side by side it is necessary to separate them by at least 5 mm in the following case:

- If panel temperature exceeds 45°C and power supply value < 20 Vdc.

Make sure that sufficient air flow is provided for the device avoiding to place raceways or other objects which could obstruct the ventilation slits. Moreover it is suggested to avoid that devices are mounted above appliances generating heat; their ideal place should be in the lower part of the panel. Install the device in a place without vibrations.

Moreover it is suggested to avoid routing conductors near power signal cables (motors, induction ovens, inverters, etc...) and to use shielded cable for connecting signals.

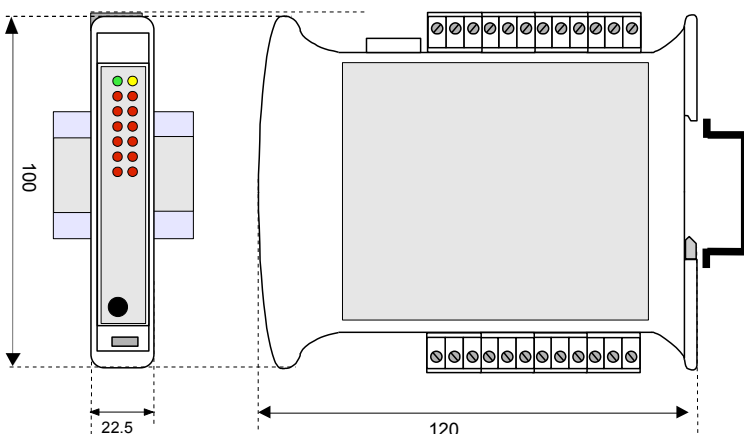
MAPPING MODBUS REGISTERS

Register Position	Description	Access
40002	Firmware [0]	RO
40003	Firmware [1]	RO
40004	Name [0]	R/W
40005	Name [1]	R/W
40007	Node ID	R/W
40011	System Flags	R/W
40012	Power Up / Safe	R/W
40013	Watchdog timer	R/W
40031	Digital Outputs	R/W
40032	Digital Inputs	RO
40033	Digital Inputs Rise Latch	R/W
40034	Digital Inputs Fall Latch	R/W
40035	Freq. Digital Input 0	RO
40036	Freq. Digital Input 1	RO
40037	Freq. Digital Input 2	RO
40038	Freq. Digital Input 3	RO
40039	32 bit Counter Digital Input 0	R/W
40041	32 bit Counter Digital Input 1	R/W
40043	32 bit Counter Digital Input 2	R/W
40045	32 bit Counter Digital Input 3	R/W

LIGHT SIGNALLING

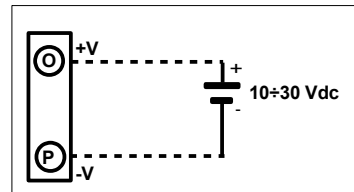
LED	COLOUR	STATE	DESCRIPTION
PWR	GREEN	ON	Device powered
		OFF	Device not powered
		BLINK	Watchdog alarm
STS	YELLOW	OFF	Device in RUN modality
		BLINK	Device in INIT modality
I n	RED	ON	Digital Inputs High Level (1)
		OFF	Digital Inputs Low Level (0)
O n	RED	ON	Digital Outputs High Level (1)
		OFF	Digital Outputs Low Level (0)

MECHANICAL DIMENSIONS (mm)

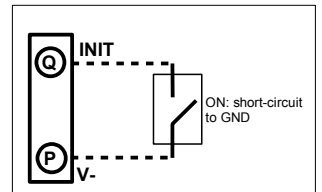


CONNECTIONS

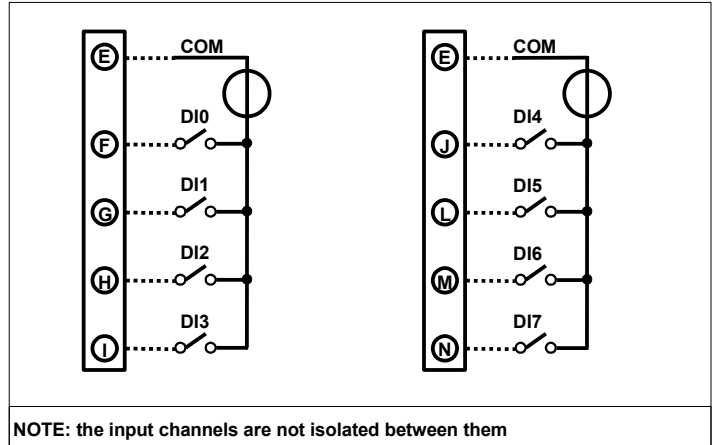
POWER SUPPLY



INIT

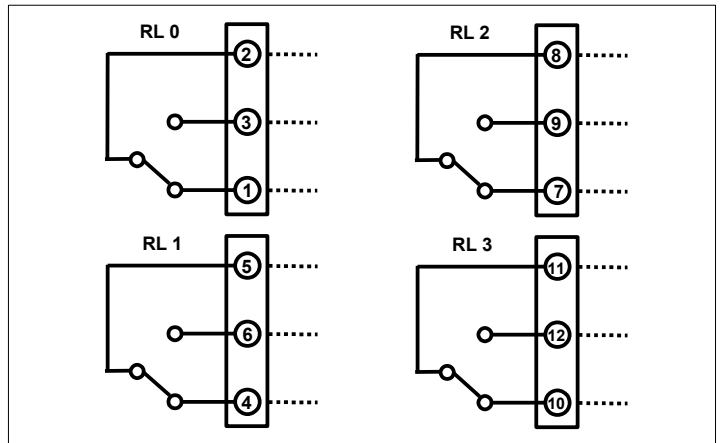


DIGITAL INPUTS



NOTE: the input channels are not isolated between them

RELAY OUTPUTS



HOW TO ORDER

“ DAT 8130 “

Note: the device is provided with default configuration as:
IP address : 192.168.1.100
Modbus address: 1